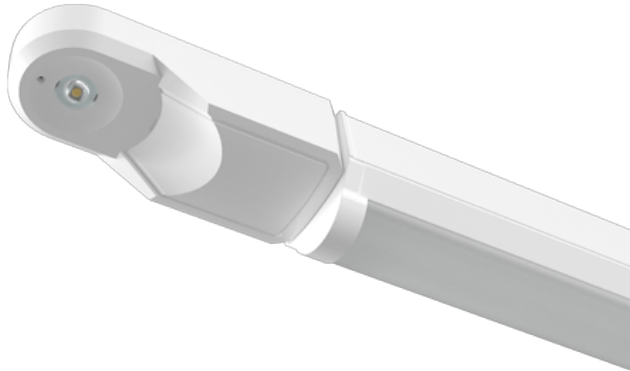


Order Code: XCBT2X1S3

X1 Batten - 600mm - CCT [3000K/4000K/6000K] + Wattage Selectable - Emergency



Features

- Ideal for replacement of linear fluorescent fixtures
- Suitable for general domestic and commercial use
- CCT selectable via selector switch [3000K/4000K/6000K]
- Wattage selectable via 2-way dip switch [11W/13W/15W/18W]
- Batten fit PIR option available, compatible with [V2P Remote](#)

Construction

- Slimline steel body finished in white (RAL 9016)
- High quality opal diffuser to reduce glare
- Loop in/out mains connector
- Conduit and BESA fixing points for end or rear cable entry

Installation Notes

Centrally-mounted loop-in, loop-out push fit terminal block



Technical Data

General		Electrical	
Luminaire Wattage (W)	11W/13W/15W/18W	Rated Input Current (A)	0.09
Weight (kg)	1.18	Power Factor (pf)	0.83 to 0.92
Operating Temperature (ta °C)	45	Input Voltage Range (VAC)	220 to 240
		Inrush Current Peak (A)	175
		Surge Protection (kV)	L-N 1KV, LN-PG 2KV
		Conductor Size (mm)	0.5 to 2.5
		Terminal Type	4 pole piano key
Light Output			
Lumens (lm)	1300 to 2300		
Efficacy (lm/W)	132		
LED			
CCT (K)	3000K/4000K/6000K		
CRI	85		
Macadam Elipses	5		
Driver			
Driver Current (mA)	200 , 250 , 300 , 350		
Forward Voltage (V)	25 to 57		
Emergency			
Emergency Lumen Operating	264		
Emergency Wattage (W)	2		

Order Code: XCBT2X1S3

X1 Batten - 600mm - CCT [3000K/4000K/6000K] + Wattage Selectable - Emergency

Dimensions

A (mm)	720
B (mm)	55
C (mm)	58

Line Drawing

